

General Description

EXTERIOR BODY PANELS

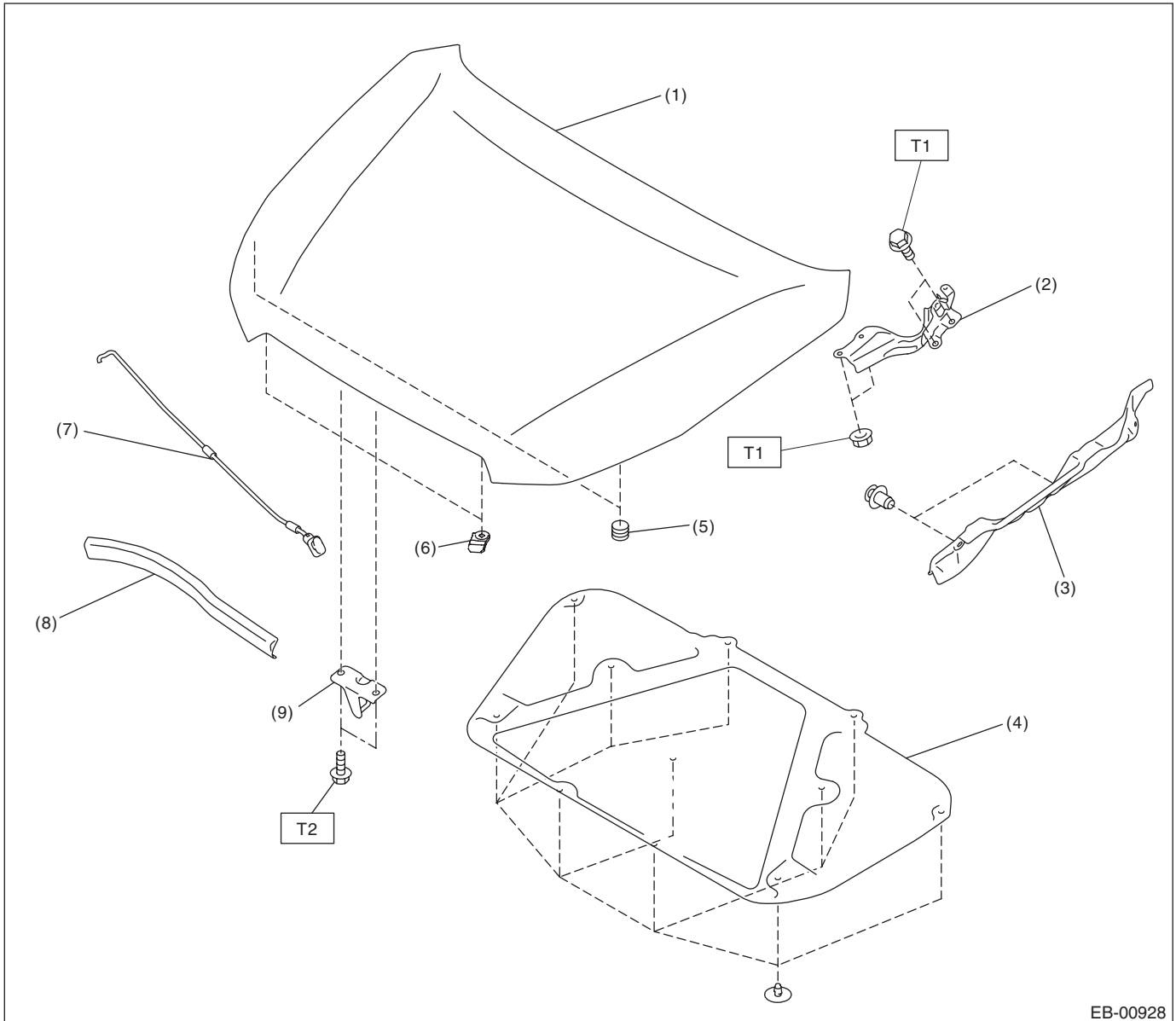
1. General Description

A: SPECIFICATION

Refer to Body Repair Manual for the dimensions of the body.

B: COMPONENT

1. FRONT HOOD



- | | |
|------------------------------|--------------------------|
| (1) Hood COMPL - front | (6) Stopper - front hood |
| (2) Hinge COMPL - front hood | (7) Stay - hood support |
| (3) Cover - front fender | (8) Seal - front duct |
| (4) Insulator - front hood | (9) Striker - front hood |
| (5) Buffer - front hood | |

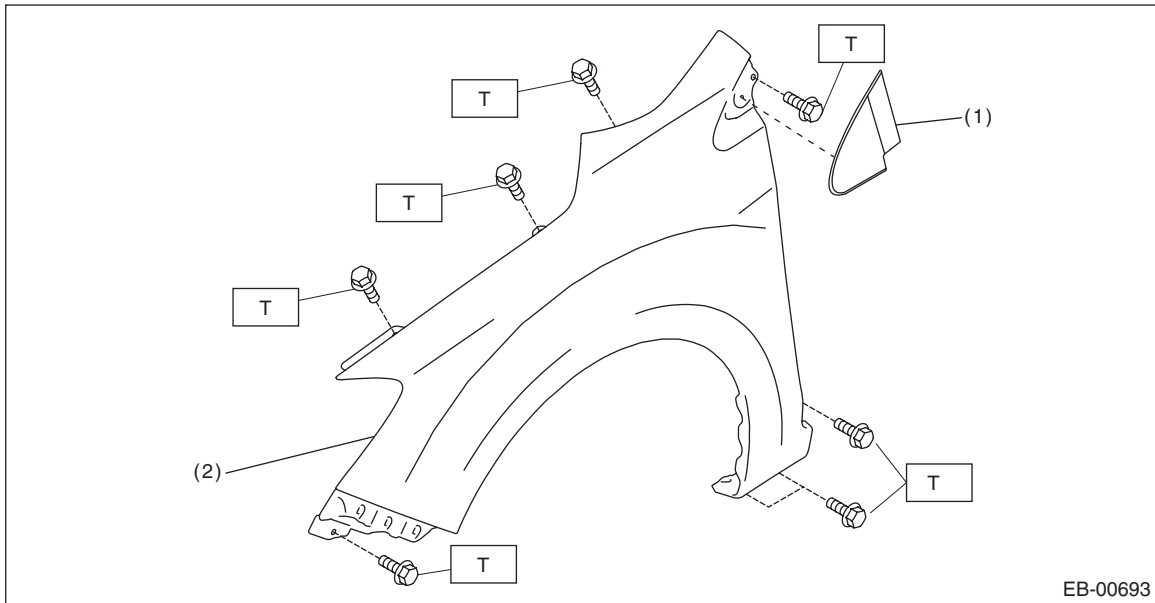
Tightening torque: N·m (kgf-m, ft-lb)

T1: 25 (2.55, 18.4)

T2: 33 (3.36, 24.5)

2. FRONT FENDER

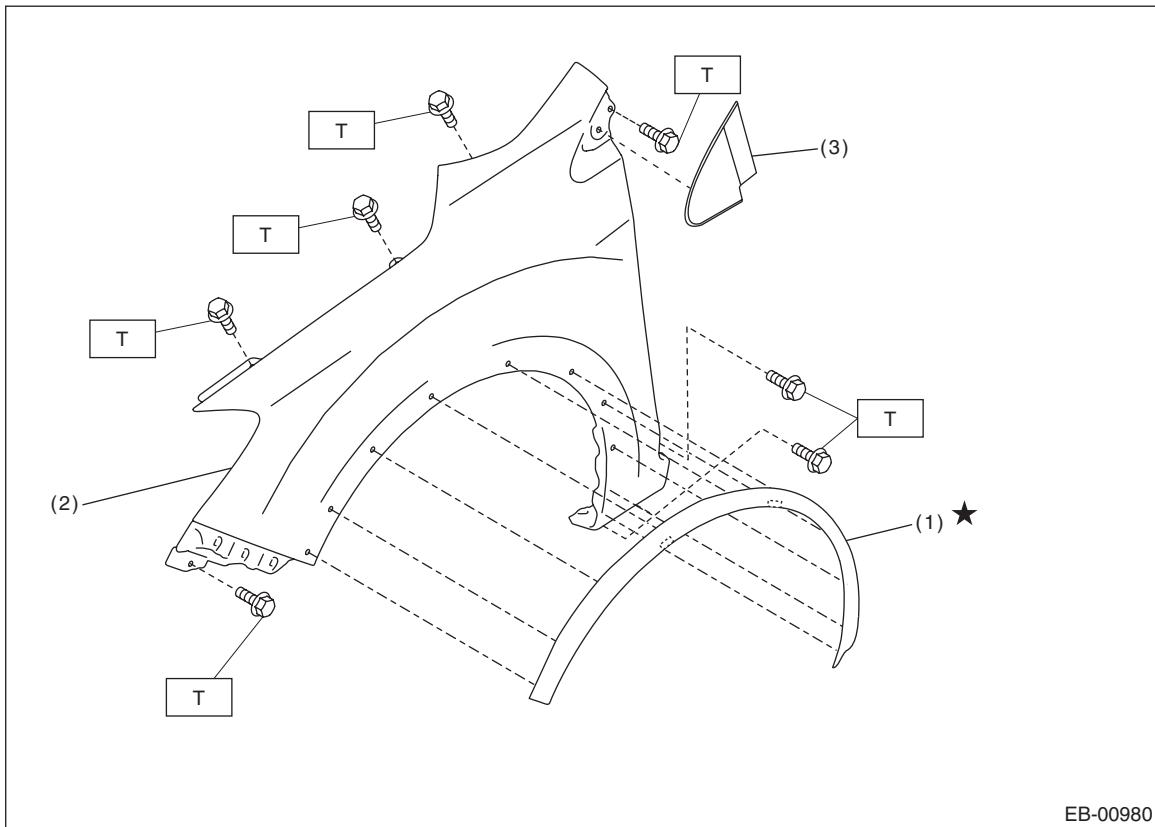
- Except for XV model



- (1) Cover - front pillar ASSY (2) Fender COMPL - front

Tightening torque: N·m (kgf·m, ft·lb)
T: 7.5 (0.76, 5.5)

- XV model



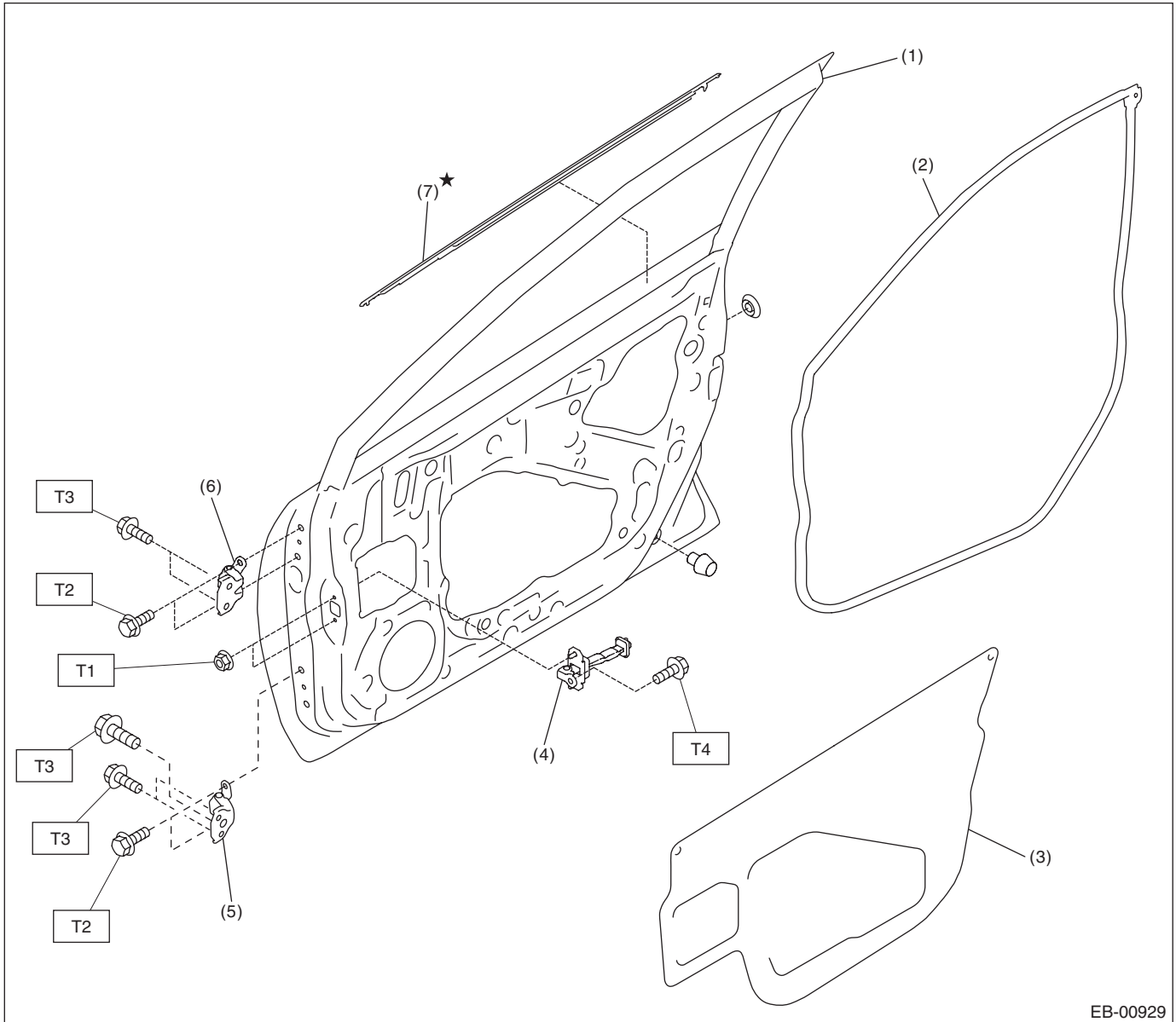
- (1) Garnish ASSY - front fender (3) Cover - front pillar ASSY
 (2) Fender COMPL - front

Tightening torque: N·m (kgf·m, ft·lb)
T: 7.5 (0.76, 5.5)

General Description

EXTERIOR BODY PANELS

3. FRONT DOOR



EB-00929

- | | |
|--------------------------------|--------------------------------------|
| (1) Panel ASSY - front door | (6) Upper hinge - front door |
| (2) Weather strip - front door | (7) Weather strip outer - front door |
| (3) Sealing cover - front door | |
| (4) Checker ASSY - front door | |
| (5) Lower hinge - front door | |

Tightening torque: N·m (kgf·m, ft·lb)

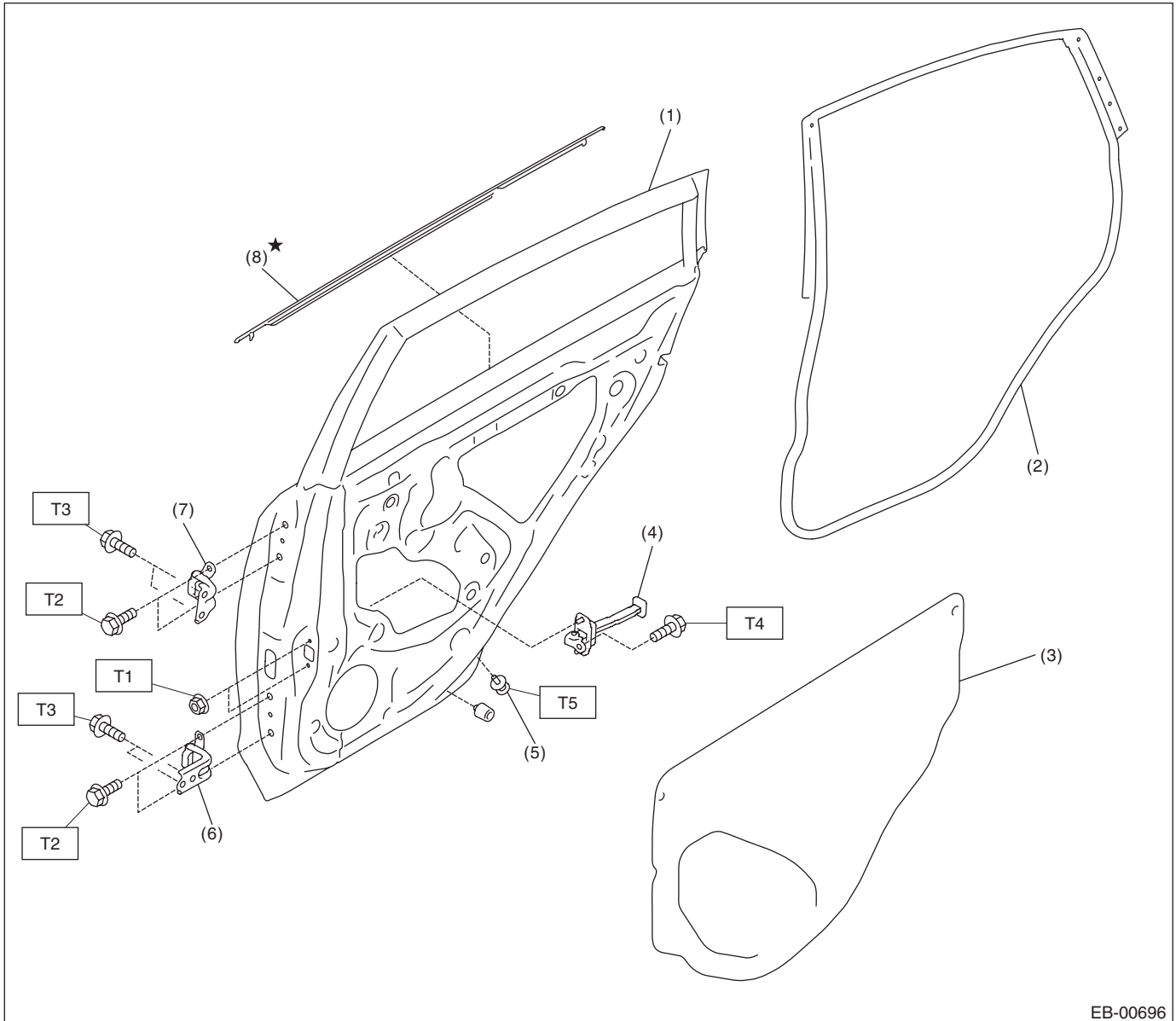
T1: 7.5 (0.76, 5.5)

T2: 25 (2.55, 18.4)

T3: 30 (3.06, 22.1)

T4: 33 (3.36, 24.3)

4. REAR DOOR



EB-00696

- | | |
|-------------------------------|-------------------------------------|
| (1) Panel ASSY - rear door | (7) Upper hinge - rear door |
| (2) Weather strip - rear door | (8) Weather strip outer - rear door |
| (3) Sealing cover - rear door | |
| (4) Checker ASSY - rear door | |
| (5) Catcher - rear door | |
| (6) Lower hinge - rear door | |

Tightening torque: N·m (kgf·m, ft·lb)

T1: 7.5 (0.76, 5.5)

T2: 25 (2.55, 18.4)

T3: 30 (3.06, 22.1)

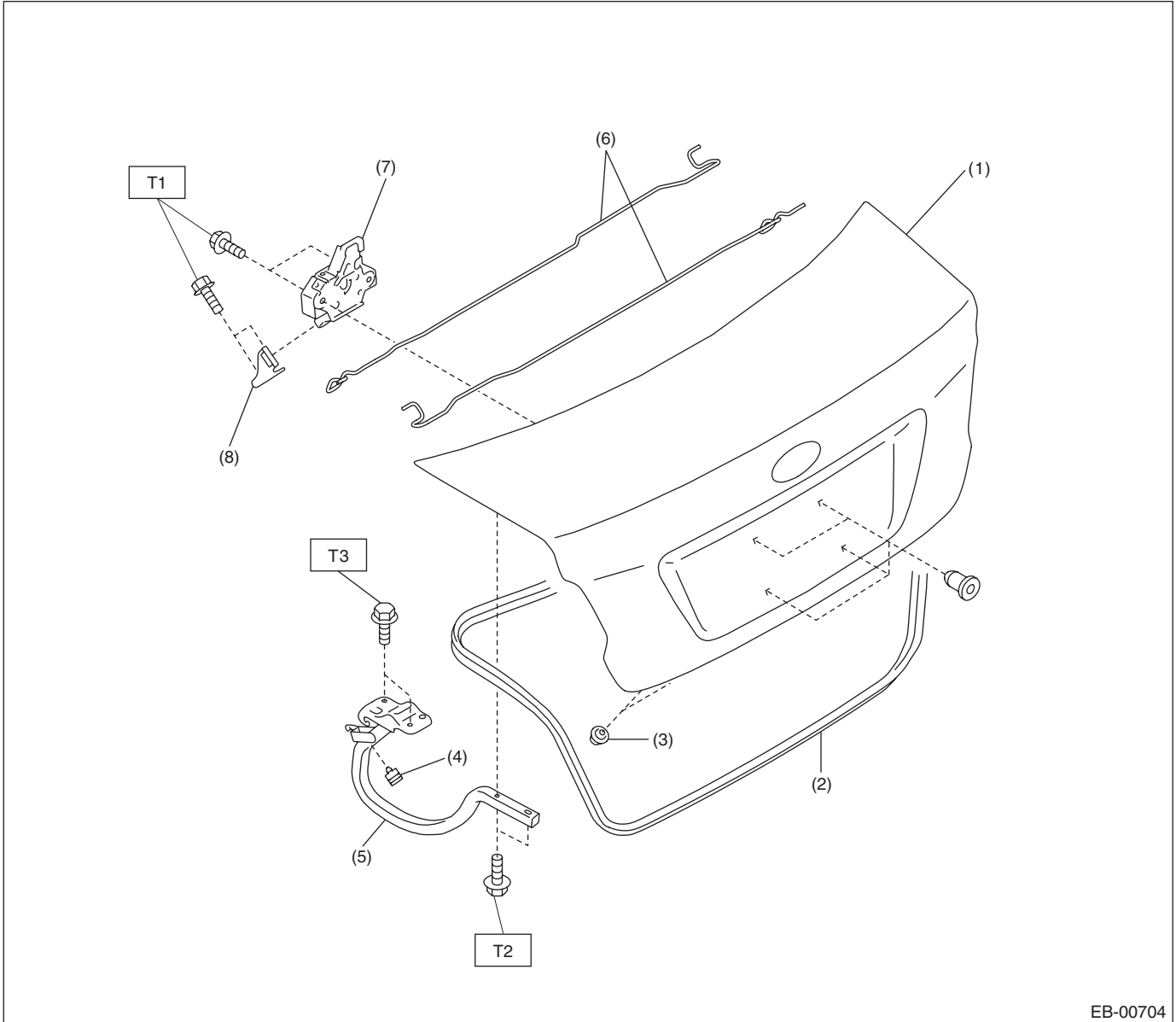
T4: 33 (3.36, 24.3)

T5: 38 (3.87, 28.0)

General Description

EXTERIOR BODY PANELS

5. TRUNK LID PANEL



EB-00704

- | | |
|-------------------------------|-----------------------------|
| (1) Trunk lid COMPL | (5) Trunk lid arm ASSY |
| (2) Weather strip - trunk lid | (6) Torsion bar - trunk lid |
| (3) Stopper - trunk lid | (7) Lock ASSY - trunk lid |
| (4) Stopper - trunk | (8) Striker - trunk |

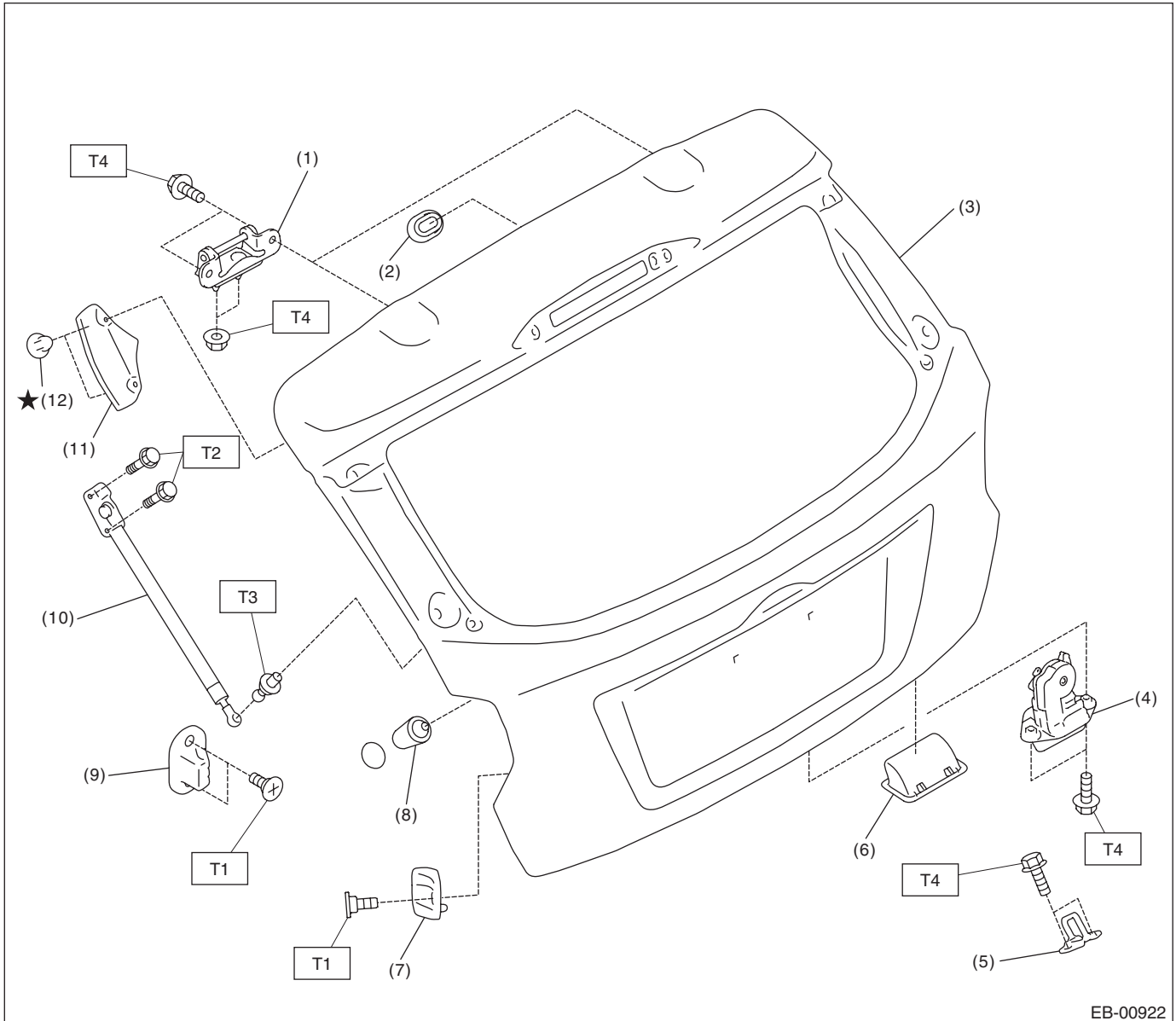
Tightening torque: N·m (kgf·m, ft·lb)

T1: 7.5 (0.76, 5.5)

T2: 14 (1.43, 10.3)

T3: 18 (1.84, 13.3)

6. REAR GATE



- | | |
|----------------------------------|----------------------------|
| (1) Hinge - rear gate | (7) Buffer - rear gate |
| (2) Plug - hole | (8) Stopper - rear gate |
| (3) Panel - rear gate | (9) Buffer - body side |
| (4) Latch & actuator - rear gate | (10) Stay ASSY - rear gate |
| (5) Striker - rear gate | (11) Drip - rear gate |
| (6) Handle - rear gate | (12) Clip |

Tightening torque: N·m (kgf·m, ft·lb)

T1: 7.5 (0.76, 5.5)

T2: 13 (1.33, 9.6)

T3: 20 (2.04, 14.8)

T4: 25 (2.55, 18.4)

C: CAUTION

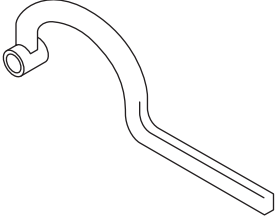
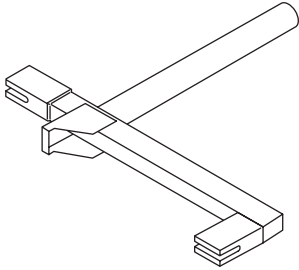
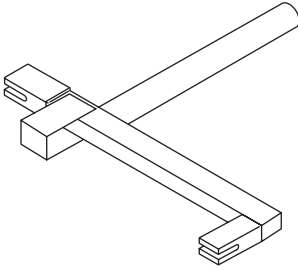
Exterior body panels are heavy. When removing and installing them, do not drop and damage the panels. Also, be careful not to scratch the coated surfaces of the panels.

General Description

EXTERIOR BODY PANELS

D: PREPARATION TOOL

1. SPECIAL TOOL

| ILLUSTRATION | TOOL NUMBER | DESCRIPTION | REMARKS |
|---|-------------|-------------|---|
|  <p>ST-925610000</p> | 925610000 | WRENCH | Used for removing and installing door hinge. |
|  <p>ST-927780000</p> | 927780000 | REMOVER | <ul style="list-style-type: none"> Used for removing and installing the trunk torsion bar. REMOVER (99099FJ000) can also be used. |
|  <p>ST99099FJ000</p> | 99099FJ000 | REMOVER | <ul style="list-style-type: none"> Used for removing and installing the trunk torsion bar. REMOVER (927780000) can also be used. |

2. GENERAL TOOL

| TOOL NAME | REMARKS |
|--------------|--|
| Support jack | Used for supporting door panel. |
| Clip remover | Used for removing various types of clips |